

# Maximum Rating Tables

## 518 Series • All Styles



Single Reduction Reducers

Bravo® Worm - Worm Double Reduction

Bravo® Helical - Worm Double Reduction

Bravo® Accessory Kits

Quadro - Single Reduction

High Efficiency Helical - Inline

### Style BMQ

### Style HMQ



### 518 Series • Style BMQ & HMQ • 1.0 S.F.

Ratio	Input RPM	Output RPM	Input HP	Output HP	Output Torque (lb in)	NEMA C Input Flange*	Left Hand Catalog No	Right Hand Catalog No	Double Extension Catalog No	Hollow Output Catalog No
7	1750	250	1.378	1.103	278	56C	W5180031	W5180041	W5180051	W5180071
	1150	164	0.950	0.760	292					
10	1750	175	0.981	0.775	279	56C	W5180032	W5180042	W5180052	W5180072
	1150	115	0.679	0.536	294					
14	1750	125	0.871	0.670	338	56C	W5180033	W5180043	W5180053	W5180073
	1150	82	0.602	0.463	356					
21	1750	83	0.796	0.533	405	56C	W5180034	W5180044	W5180054	W5180074
	1150	55	0.555	0.372	426					
28	1750	63	0.631	0.410	410	56C	W5180035	W5180045	W5180055	W5180075
	1150	47	0.494	0.321	431					
37	1750	47	0.490	0.309	414	56C	W5180036	W5180046	W5180056	W5180076
	1150	31	0.340	0.214	436					
46	1750	38	0.397	0.234	388	56C	W5180037	W5180047	W5180057	W5180077
	1150	25	0.274	0.162	408					
60	1750	29	0.363	0.203	442	56C	W5180038	W5180048	W5180058	W5180078
	1150	19.2	0.250	0.140	465					
70	1750	25.0	0.204	0.110	278	56C	W5180039	W5180049	W5180059	W5180079
	1150	16.4	0.137	0.074	292					
102	1750	17.2	0.144	0.070	261	56C	W5180040	W5180050	W5180060	W5180080
	1150	11.3	0.098	0.048	275					

\* Contact Factory for metric EC input flange options available

### Style B

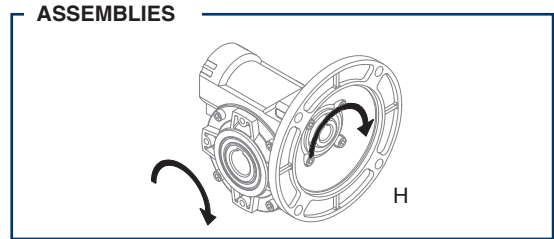
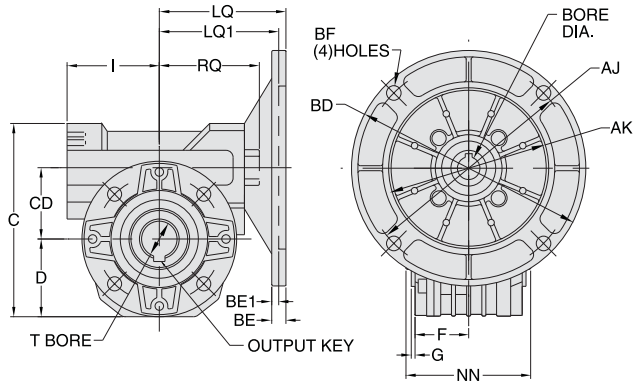
### Style H



### 518 Series • Style B & H • 1.0 S.F.

Ratio	Input RPM	Output RPM	Input HP	Output HP	Output Torque (lb in)	Left Hand Catalog No	Right Hand Catalog No	Double Extension Catalog No	Hollow Output Catalog No
7	1750	250	1.378	1.103	278	W5180001	W5180011	W5180021	W5180061
	1150	164	0.950	0.760	292				
10	1750	175	0.981	0.775	279	W5180002	W5180012	W5180022	W5180062
	1150	115	0.679	0.536	294				
14	1750	125	0.871	0.670	338	W5180003	W5180013	W5180023	W5180063
	1150	82	0.602	0.463	356				
21	1750	83	0.796	0.533	405	W5180004	W5180014	W5180024	W5180064
	1150	55	0.555	0.372	426				
28	1750	63	0.631	0.410	410	W5180005	W5180015	W5180025	W5180065
	1150	47	0.494	0.321	431				
37	1750	47	0.490	0.309	414	W5180006	W5180016	W5180026	W5180066
	1150	31	0.340	0.214	436				
46	1750	38	0.397	0.234	388	W5180007	W5180017	W5180027	W5180067
	1150	25	0.274	0.162	408				
60	1750	29	0.363	0.203	442	W5180008	W5180018	W5180028	W5180068
	1150	19.2	0.250	0.140	465				
70	1750	25.0	0.204	0.110	278	W5180009	W5180019	W5180029	W5180069
	1150	16.4	0.137	0.074	292				
102	1750	17.2	0.144	0.070	261	W5180010	W5180020	W5180030	W5180070
	1150	11.3	0.098	0.048	275				

## Style HMQ



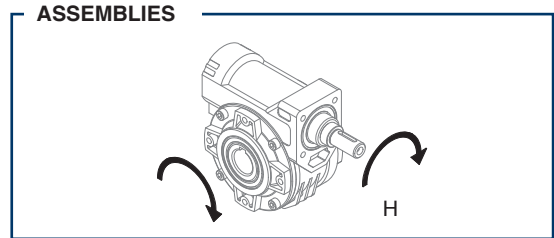
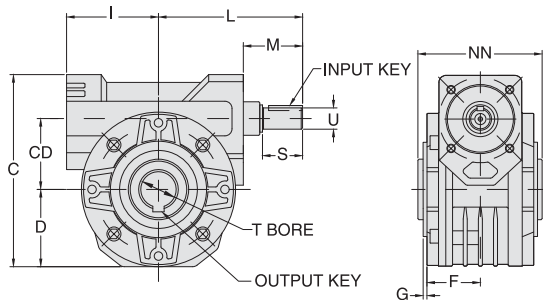
REVERSE ALL ARROWS FOR OPPOSITE INPUT SHAFT ROTATION. CONTACT FACTORY FOR OTHER MOUNTINGS OR ASSEMBLY POSITIONS.

### STYLE HMQ DIMENSIONS - Inches (MM)

Series	C	CD	D	F	G	I	LQ* 56/140	LQ1* 180	NN	RQ	T* +0.0015 -0.0000	OUTPUT KEY*
512	3.54	1.18	1.54	1.18	0.08	1.81	*	N/A	2.16	2.21	(14) ●	(5) ●
518	4.76	1.77	1.93	1.38	0.08	2.16	3.33	N/A	2.56	2.60	0.750	3/16 X 1.00
520	5.33	1.97	2.15	1.50	0.12	2.56	3.51	N/A	3.19	2.83	1.000	1/4 X 1.62
525	6.69	2.48	2.76	1.77	0.19	3.11	4.08	N/A	4.72	3.58	1.125	1/4 X 2.00
534	9.15	3.35	3.72	2.52	0.14	3.86	4.83	5.35	5.31	4.33	1.500	3/8 X 2.00

● Dimension is in MM Key is not provided with metric reducer options as standard  
 Metric bore tolerance is H7  
 \* Metric options are available Refer to dimensions on opposite page  
 Contact factory or availability of metric options

## Style H



REVERSE ALL ARROWS FOR OPPOSITE INPUT SHAFT ROTATION. CONTACT FACTORY FOR OTHER MOUNTINGS OR ASSEMBLY POSITIONS.

### STYLE H DIMENSIONS\*\* - Inches

Series	C	CD	D	F	G	I	L	M	NN	S	T +0.0015 -0.0000	U +0.000 -0.001	INPUT KEY	OUTPUT KEY
518	4.76	1.77	1.93	1.38	0.08	2.16	3.86	1.67	2.56	1.18	0.750	0.625	3/16 X 1.00	3/16 X 1.00
520	5.33	1.97	2.15	1.50	0.12	2.56	4.11	1.74	3.19	1.18	1.000	0.625	3/16 X 1.00	1/4 X 1.62
525	6.69	2.48	2.76	1.77	0.19	3.11	5.43	2.24	4.72	1.75	1.125	0.750	3/16 x 1.50	1/4 X 2.00
534	9.15	3.35	3.72	2.52	0.14	3.86	6.38	2.52	5.31	1.75	1.500	0.875	3/16 X 1.50	3/8 X 2.00

\*\* Series 512 is available in this style Contact factory or details